



Digital Non Programmable or Programmable Thermostat

2 or 4 pipe systems

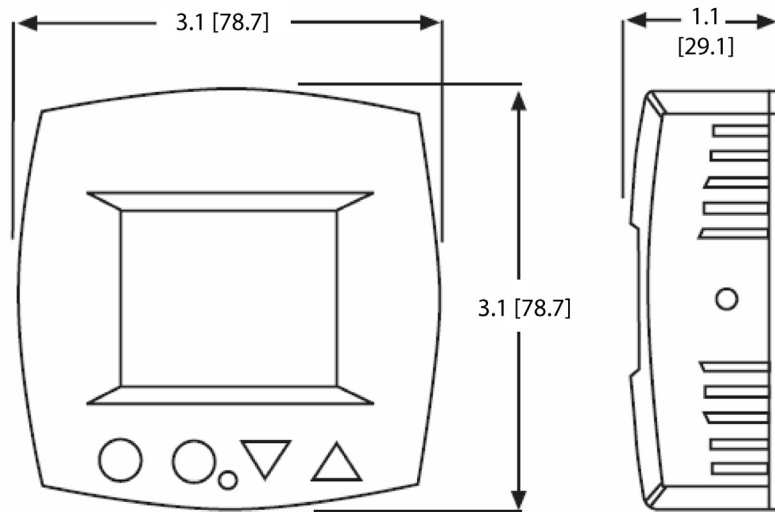


The T701DFN Non-programmable and T701DFP Programmable thermostat controllers provide control of two or four-pipe fan coils. These thermostat controllers provide on/off; three speeds of fan control, and dry contact unoccupied control. They are designed as standalone devices for use in commercial buildings such as schools and hotels. The thermostats provide the user access to parameters such as system mode, fan mode, and temperature setpoints.

Features

- Remote Sensor Ready
- Auto 2-pipe changeover when used with accessory changeover sensor
- Dry contact equipped
- Thermoglow Backlit display
- Electric heat ready
- Dual setpoint with adjustable deadband
- Keypad lockout
- 7-Day programmable (D701DFP)
- Configurable display that can show both heating and cooling setpoints and room temperature simultaneously
- Programming and setpoints stored in non-volatile memory, and are never lost in power failure
- Red/Green LED shows whether thermostat is calling for heating or cooling

Dimensional Cutsheet



Technical Specifications

Output Rating (fan or valve outputs)		0.4A max, 0.01A min, 3A inrush, 20 - 30 VAC
Digital Inputs	H2O	voltage free contacts, closed to signal CHILLED water supply
	CK1	voltage free contacts, closed to alter setpoints
Local Temperature Sensor Type		solid state temperature sensor, 10 mV / degF
Remote Temperature Sensor Type		solid state temperature sensor, digital communications over two wires, 5 ftcable supplied, accurate to 1 degF
Wire Size		16 AWG (100 ft max) to 24 AWG (36 ft max)
Temperature Adjustment Range		35 to 99 degF (2 to 36 degC)
Accuracy		35 to 65 degF +/- 3 degF, greater than 65 to less than 80 degF +/- 2 degF, 80 to 99 degF +/- 3 degF, greater than 99 to 104 degF +/- 5 degF
Deadband		Adjustable 1 to 6 deg first stage, fixed 1 degree for med/hi fan speeds
Ambient Conditions	Operating	35 to 104 degF (2 to 40 degC), 5 – 95% RH non-condensing, 86 degF max dew point
	Storage	-22 to 122 degF (-30 to 50 degC), 5 – 95% RH non-condensing, 86 degF max dew point
Compliance		UL/CUL listed, file E107041, NEC Class 2
Dimensions		3.14" H x 3.14" W x 1.1" D [78.7 mm H x 78.7 mm W x 29.1 mm D]
Shipping Weight		0.55 lbs [.25 kg]